

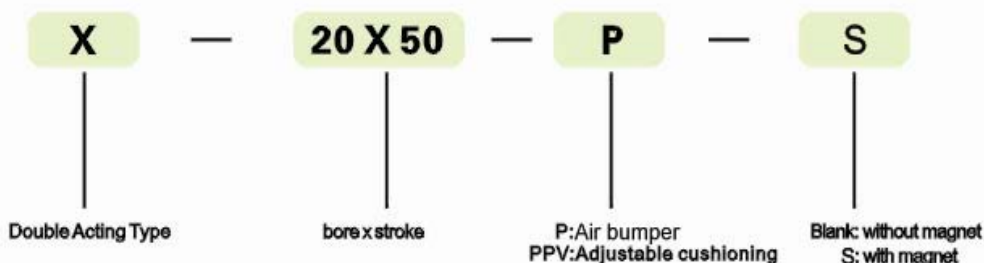
## X Series ISO6432 Micro Stainless Steel Cylinder



### Symbol



### How to Order



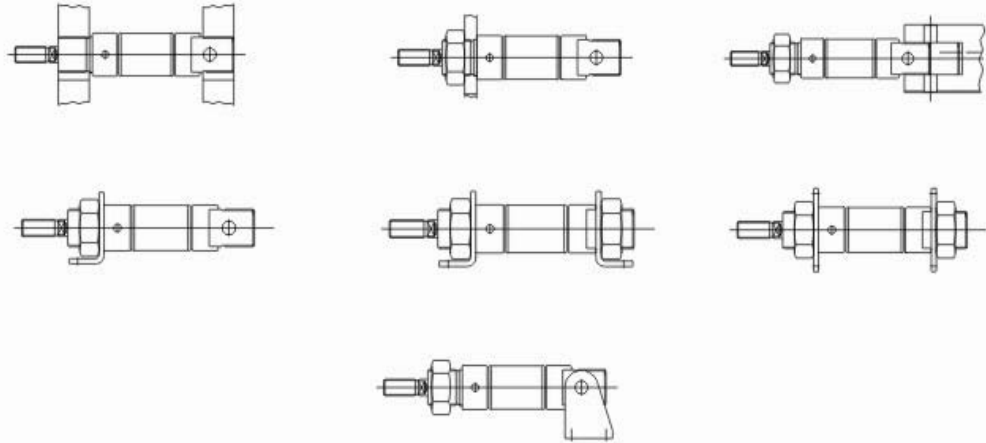
### Technical data

Cylinder bore (mm)	8	10	12	16	20	25
Acting type	Double acting					
Working medium	Filtered air					
Working-pressure range	0.1~0.9MPa					
Max. pressure	1.35MPa					
Operating temperature range	-5~70℃					
Operating speed range	30~800mm/s					
Bumper type	Standard type	Rubber Bumper				
	Pneumatic cushioning	—	Pneumatic adjustable cushioning			
Port connection	M5				G1/8	

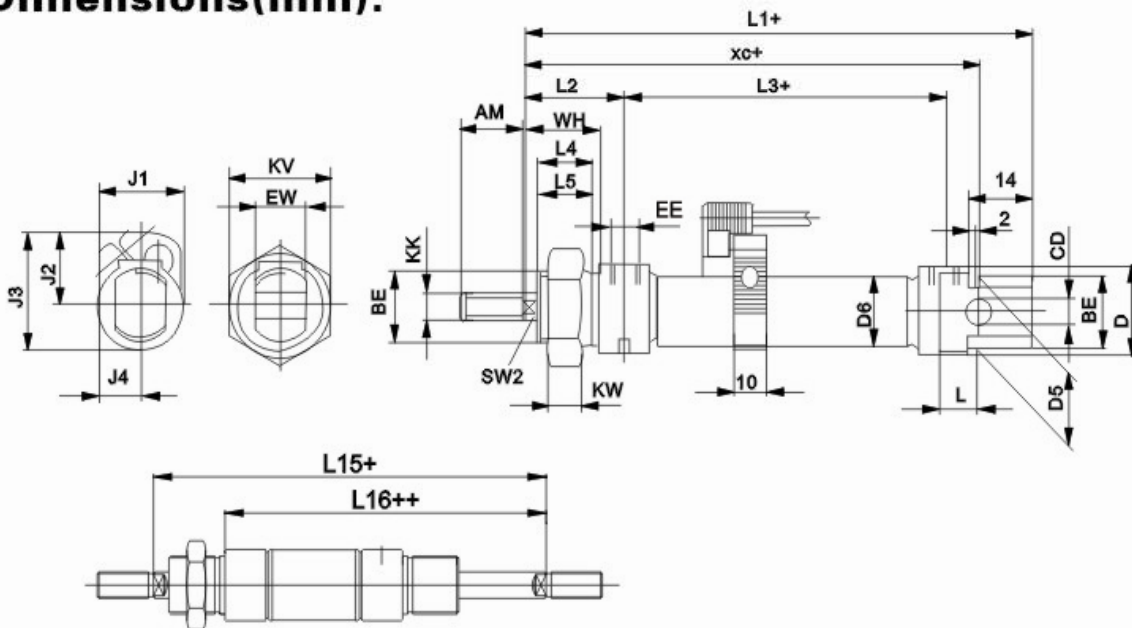
### Stroke(mm)

Bore (mm)	Standard stroke
8	10 25 40 50 80 100
10	10 25 40 50 80 100
12	10 25 40 50 80 100 125 160 200
16	10 25 40 50 80 100 125 160 200
20	10 25 40 50 80 100 125 160 200 250 300 320
25	10 25 40 50 80 100 125 160 200 250 300 320 400 500

## Mounting Accessories



## Dimensions(mm):

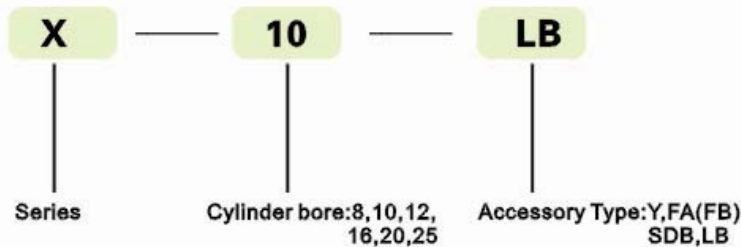


Bore (mm)	AM	B1	BE	CD	D	D5	D6	EE	EW	J1	J2	J3	J4	KK	KV	KW	L	L1	L2	L3	L4	L5	L15	L16	SW2	WH	XC
8	12	-	M12x1.25	4	15	12	9.3	M5	8	20.4	16.5	23.2	13.9	M4	19	6	6	78	22	34	12	10	78	62	-	16	64
10	12	-	M12x1.25	4	15	12	11.3	M5	8	22	18.2	25.9	13.8	M4	19	6	6	78	22	34	12	10	78	62	-	16	64
12	16	5.5	M16x1.5	6	20	16	13.3	M5	12	22	20	28.6	11	M6	24	8	9	89	28	38	17	15	94	72	5	22	75
16	16	5.5	M16x1.5	6	20	16	17.3	M5	12	22.5	22.5	33.2	11	M6	24	8	9	95	28	44	17	15	100	78	5	22	82
20	20	7	M22x1.5	8	27	22	21.3	G1/8	16	26.5	22.5	35.3	13	M8	32	11	12	112	32	51.6	20	18	116	92	7	24	95
25	22	9	M22x1.5	8	27	22	26.5	G1/8	16	31.5	25	40.2	16	M10x1.25	32	11	12	119.5	36	53.1	22	20	125.5	97.5	9	28	104



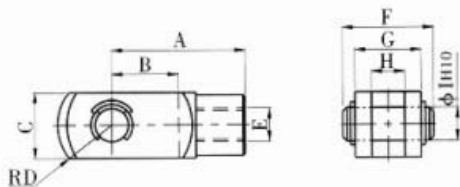
## Mounting Accessories

### How to Order



### Dimensions(mm):

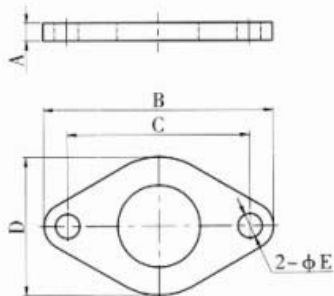
Y



### Rod clevis

Bore	E	A	B	C	D	F	G	H	I
8,10	M4X0.7	16	8	8	6.5	12.8	8	4	4
12,16	M6X1.0	24	12	12	9.5	17	12	6	5
20	M8X1.25	32	16	16	13	21	16	8	8
25	M10X1.25	24	20	20	16	26	20	10	10

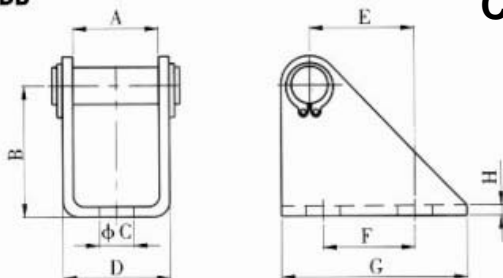
FA (FB)



### Flange

Bore	A	B	C	D	E
8	3	40	30	25	4.5
10	3	40	30	25	4.5
12	4	53	40	30	5.5
16	4	53	40	30	5.5
20	5	66	50	40	6.6
25	5	66	50	40	6.6

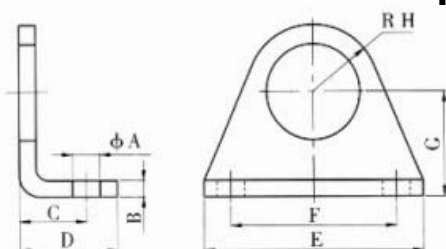
SDB



### Clevis Foot

Bore	A	B	C	D	E	F	G	H
8	8.1	24	4.5	13	13.8	12.5	20	2.5
10	8.1	24	4.5	13	13.8	12.5	20	2.5
12	12.1	27	5.5	18	13	15	25	3
16	12.1	27	5.5	18	13	15	25	3
20	16.1	30	6.6	24	16	20	32	4
25	16.1	30	6.6	24	16	20	32	4

LB



### Foot Bracket

Bore	A	B	C	D	E	F	G	H
8	4.5	3	11	16	35	25	16	10
10	4.5	3	11	16	35	25	16	10
12	5.5	4	14	20	42	32	20	13
16	5.5	4	14	20	42	32	20	13
20	6.6	5	17	25	54	40	25	20
25	6.6	5	17	25	54	40	25	20