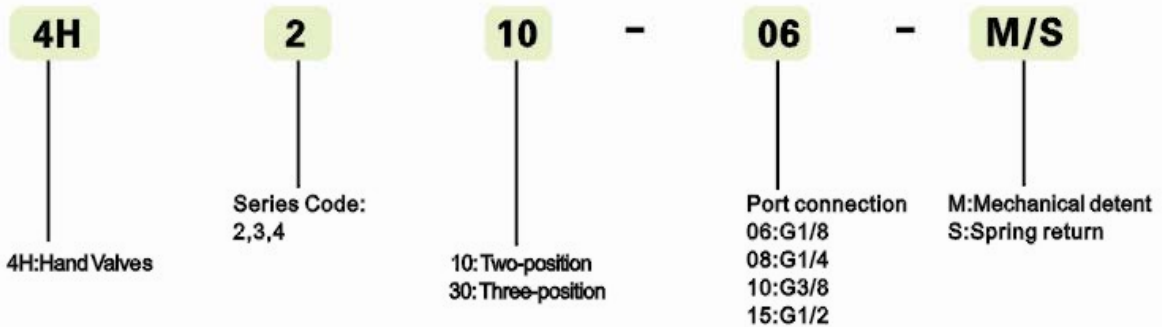


4H Series Hand Valves



How to Order

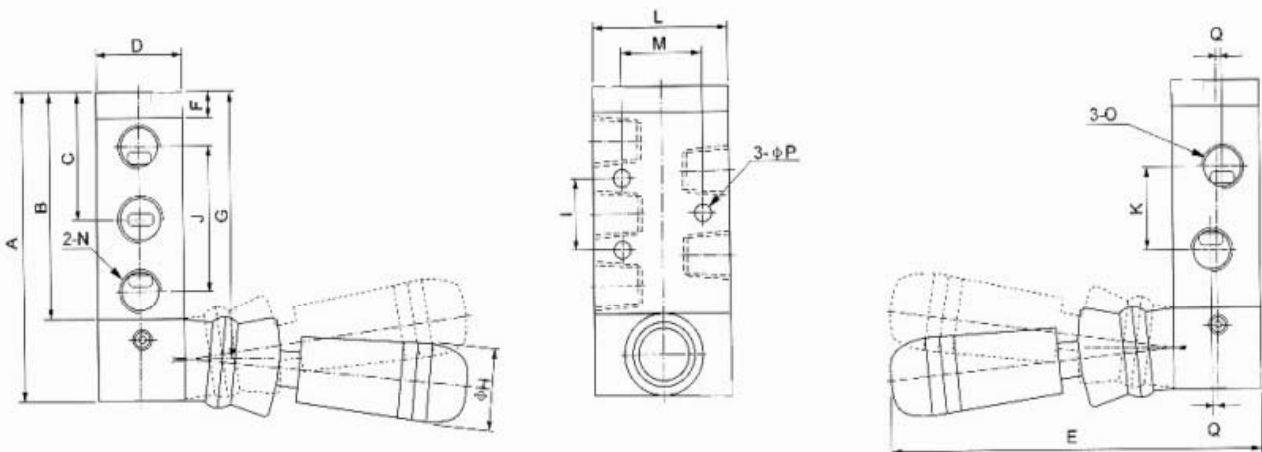


Technical data

Model	4H210-06	4H210-08	4H230-08	4H310-08	4H310-10	4H330-10	4H410-15	4H430-15
Working Medium	Filtered Air							
Effective section area	14mm ² (CV=0.78)	16mm ² (CV=0.89)	12mm ² (CV=0.67)	25mm ² (CV=1.4)	30mm ² (CV=1.68)	18mm ² (CV=1.00)	50mm ² (CV=2.79)	30mm ² (CV=1.68)
Port connection	G1/8	Air Inlet=Air Outlet=G1/4 Exhaust=G1/8		G1/4	Air Inlet=Air Outlet=G3/8 Exhaust=G1/4		G1/2	
Working-pressure range	0~0.8MPa							
Operating temperature range	0~60°C							

4H Series Hand Valve

Dimensions(mm)



Model	4H210-06	4H230-06-M	4H230-06-S	4H210-08	4H230-08-M	4H230-08-S	4H310-08	4H310-10	4H410-15
A	76	95	95	76	95	95	92	92	126
B	56.5	75.5	75.5	56.5	75.5	75.5	72.5	72.5	102
C	31.5	31.5	31.5	31.5	31.5	31.5	40	40	55.5
D	22	22	22	22	22	22	27	27	34
E	95	95	95	95	95	95	100	100	110
F	6.5	6.5	6.5	6.5	6.5	6.5	7.5	7.5	7.5
G	66.5	85.5	85.5	66.5	85.5	85.5	82.5	82.5	114
H	18	18	18	18	18	18	18	18	18
I	20	20	20	20	20	20	24	24	28
J	36	36	36	36	36	36	45	45	63
K	21	21	21	21	21	21	24	24	36
L	35	35	35	35	35	35	40	40	50
M	21	21	21	21	21	21	27	27	35
N	G1/8	G1/8	G1/8	G1/8	G1/8	G1/8	G1/4	G1/4	G1/2
O	G1/8	G1/8	G1/8	G1/4	G1/4	G1/4	G1/4	G3/8	G1/2
P	4.3	4.3	4.3	4.3	4.3	4.3	4.3	4.3	5.5
Q	-	-	-	-	-	1.5	-	2	-