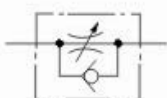


## AS Series

## Flow Control Valves



Symbol



### Technical data

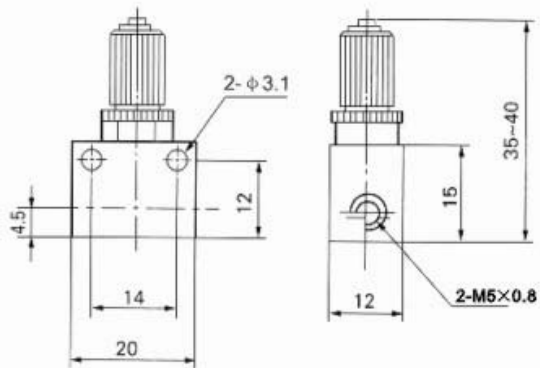
| Model                     | AS1000  | AS2000~4000 |
|---------------------------|---------|-------------|
| Proof pressure            | 1.05MPa | 1.5MPa      |
| Max. working pressure     | 0.7MPa  | 1.0MPa      |
| Min. working pressure     | 0.1MPa  | 0.05MPa     |
| Ambient and temperature   | 0~60℃   |             |
| Number of needle rotation | 10      | *8~9        |

| Model     | Port size | Free Flow      |                                   | Controlled Flow |                                   | Weight(g) |
|-----------|-----------|----------------|-----------------------------------|-----------------|-----------------------------------|-----------|
|           |           | * Flow (L/min) | Effective area (mm <sup>2</sup> ) | * Flow (L/min)  | Effective area (mm <sup>2</sup> ) |           |
| AS1000-M5 | M5 × 0.8  | 90             | 1.4                               | 80              | 1.2                               | 33        |
| AS2000-01 | G1/8      | 340            | 5.2                               | 250             | 3.8                               | 90        |
| AS2000-02 | G1/4      |                |                                   |                 |                                   | 115       |
| AS3000-02 | G1/4      | 810            | 12.3                              | 810             | 12.3                              | 130       |
| AS3000-03 | G3/8      |                |                                   |                 |                                   |           |
| AS4000-02 | G1/4      | 1670           | 25.5                              | 1670            | 25.5                              | 205       |
| AS4000-03 | G3/8      |                |                                   |                 |                                   |           |
| AS4000-04 | G1/2      |                |                                   |                 |                                   |           |

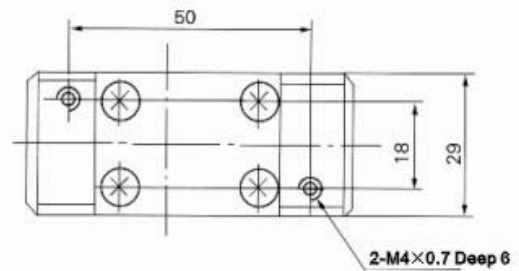
\*Flow rate values are measured at 0.5MPa and 20℃

## Dimensions(mm)

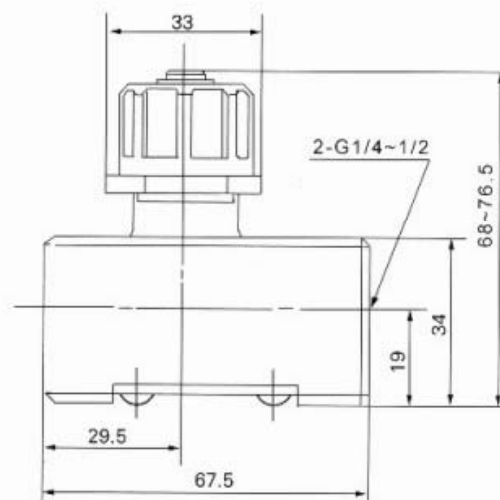
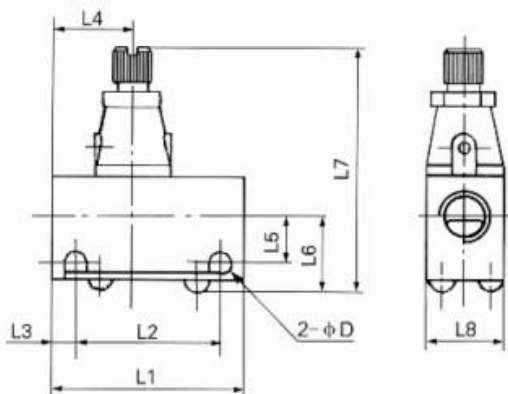
### AS1000-M5



### AS4000



### AS2000~3000



| Model     | Pipe size | L1 | L2   | L3   | L3 | L5   | L6   | L7      | L8 | D   |
|-----------|-----------|----|------|------|----|------|------|---------|----|-----|
| AS2000-01 | G1/8      | 40 | 30   | 5    | 17 | 10   | 55.5 | 50~54.5 | 16 | 4.5 |
| AS2000-02 | G1/4      | 40 | 30   | 5    | 23 | 11.5 | 17   | 51.5~56 | 20 | 4.5 |
| AS3000-02 | G1/4      | 56 | 45.5 | 5.25 | 25 | 13.2 | 21   | 62~69   | 26 | 5.5 |
| AS3000-03 | G3/8      |    |      |      |    |      |      |         |    |     |