

2V Series

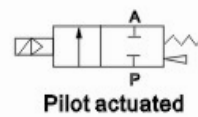
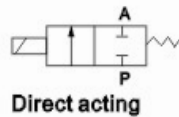
Two-position Two-way Solenoid Valves



How to Order

2V	025	-	06	-	AC110V
2V: Two-position Two-way	025:2.5mm 130:13mm 250:25mm		Port connection 06:1/8 15:1/4 10:3/8 15:1/2 20:3/4 25:1		Voltage DC12V DC24V AC24V 50Hz/60Hz AC110V 50Hz/60Hz AC220V 50Hz/60Hz AC380V 50Hz/60Hz

Graphic Symbol



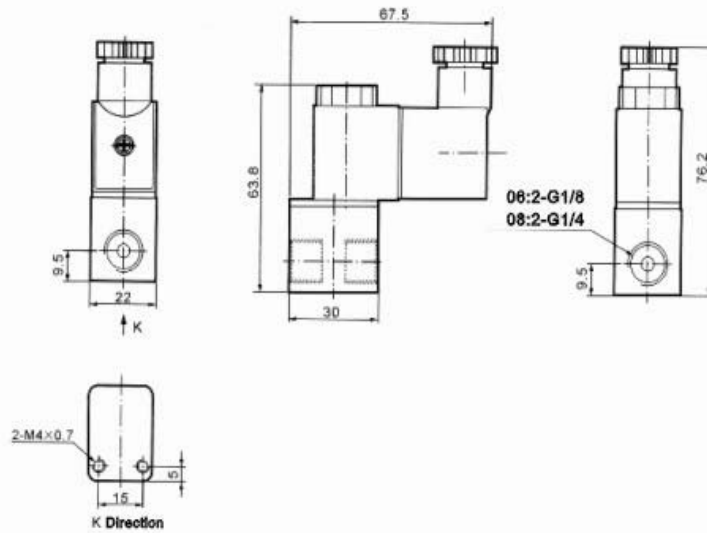
Technical Data

Model	2V025-06	2V025-08	2V130-10	2V130-15	2V250-20	2V250-25
Working Medium	Air, Water, Oil					
Acting type	Direct acting			Pilot actuated		
State when not actuated	Normally closed					
CV	0.23		6.2		23	
Port connections	G1/8	G1/4	G3/8	G1/2	G3/4	G1
Fluid viscosity	Below 20 CST					
Working pressure	Air, Water, Oil:0~1.0MPa			Air, Water, Oil:0.05~0.1MPa		
Proof pressure	1.5MPa			1.05MPa		
Operating temperature range	-10~+80°C					
Voltage range	±10%					
IP raty	IP65					
Power consumption	AC:7VA/60Hz,9VA/50Hz / DC:6W					
Insulation class	F Class					
Material of Body	Aluminum or Brass			Brass		
Material of oil seal	NBR or VITON			NBR		
Response time	0.05 Second					

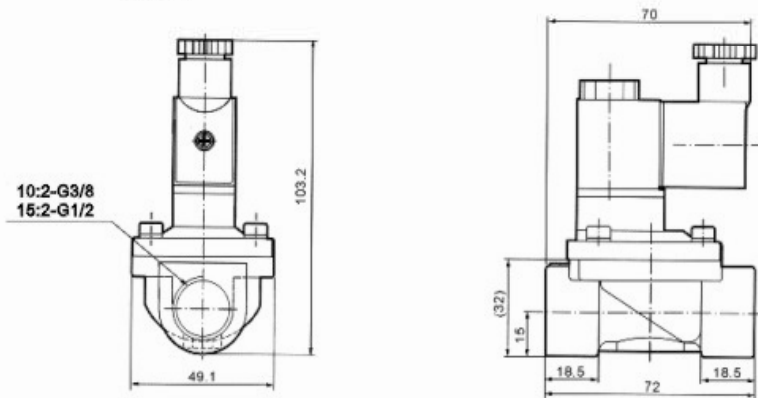


Dimensions(mm)

2V025



2V130



2V250

